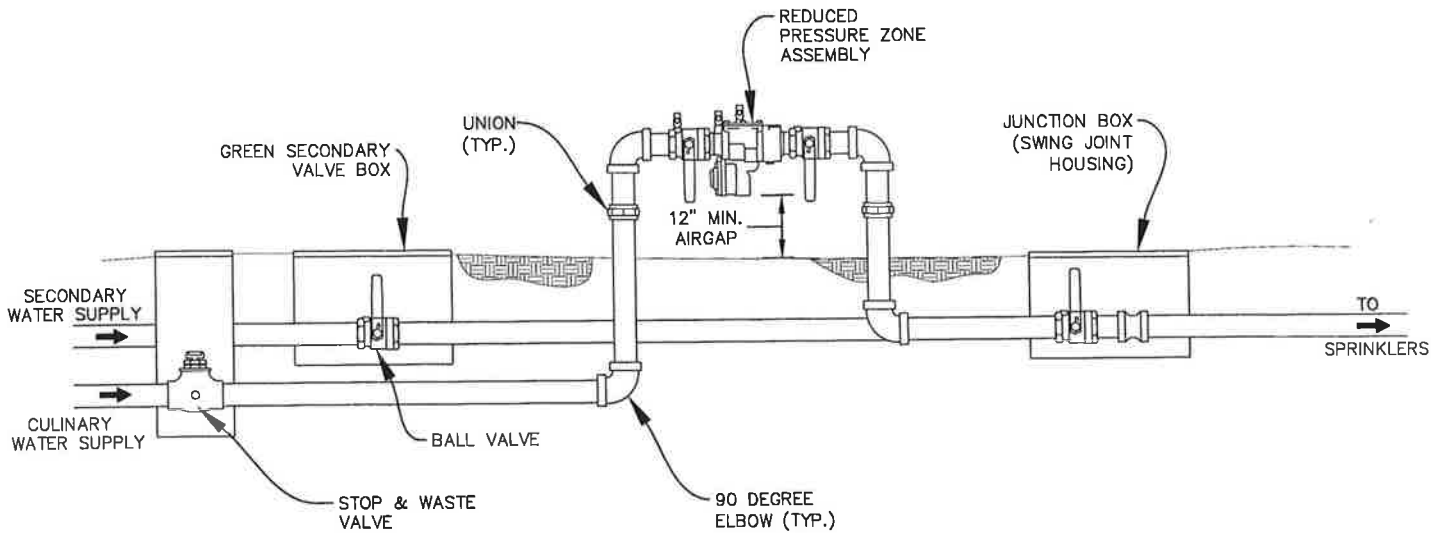


**TOP VIEW**  
NOT TO SCALE



**FRONT VIEW**  
NOT TO SCALE



Riverton City  
12675 S 1400 W  
Riverton, UT 84065

Drawn  
11/09/04

Updated

*DUAL CULINARY &  
SECONDARY WATER  
CONNECTION  
STANDARD DETAILS*

Date	Revision	By

Dwg #

WT-10